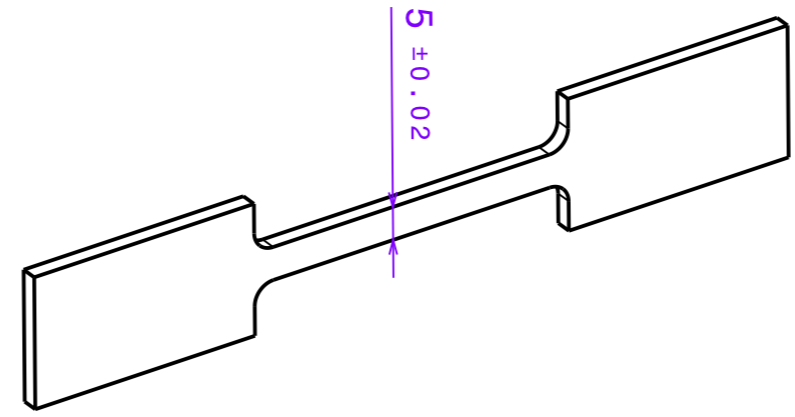


SIDE VIEW
SCALE 2:1



ISOMETRIC VIEW
SCALE 1:1

0.05 A

POS.	NUMBER	UNIT	ARTICLE CODE	DESCRIPTION / FEATURES				
FOREIGN NR.								
CHANGE	a		CHANGE	e	DESIGNED BY	15-10-2010	BOLLHALDER	Scale
	b			f	PROVED			
	c			g				
	d			h				
FACILITY: SING, POLDI				REPLACED BY				
ASSEMBLY: TENSILE MACHINE				REPLACEMENT				
				PARTS LIST				SHEET NR. 1/1
				ASSEMBLY NR.				
 Paul Scherrer Institut			TENSILE SAMPLE GL44 T2.5		3-10009.24.2936			